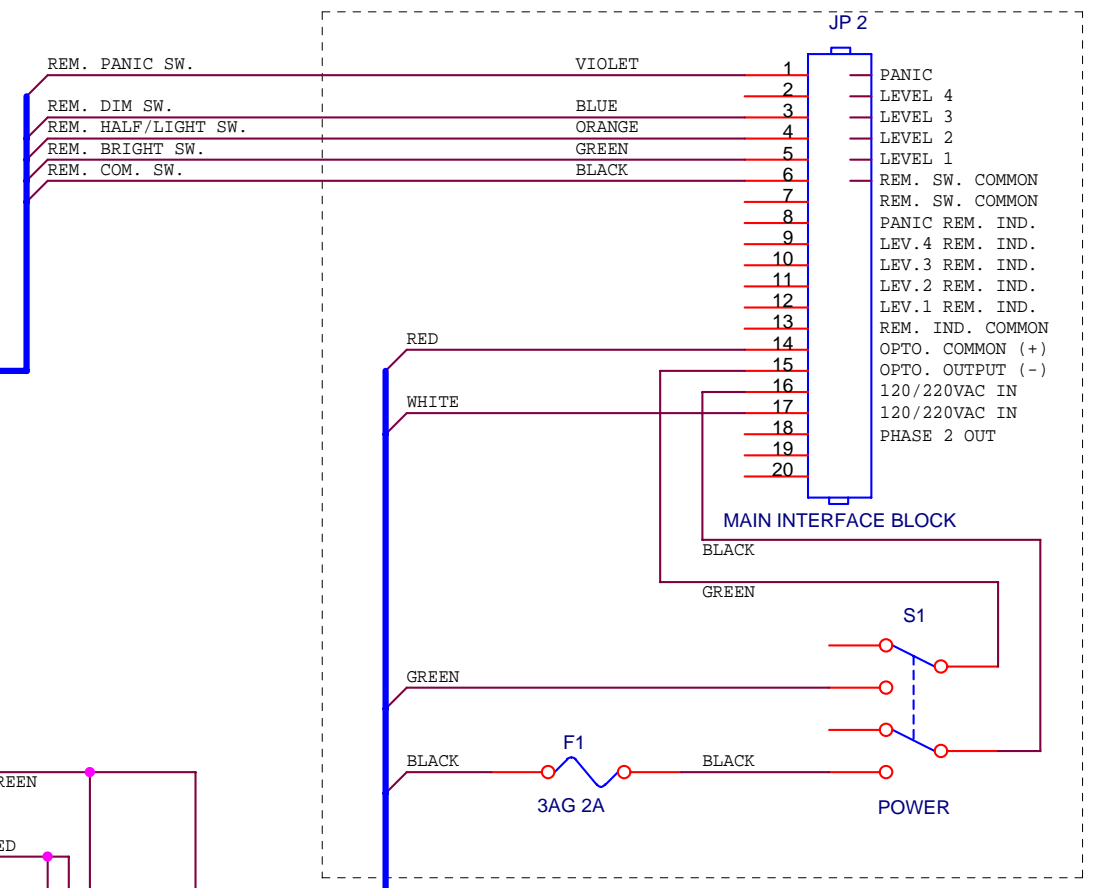


IMPORTANT

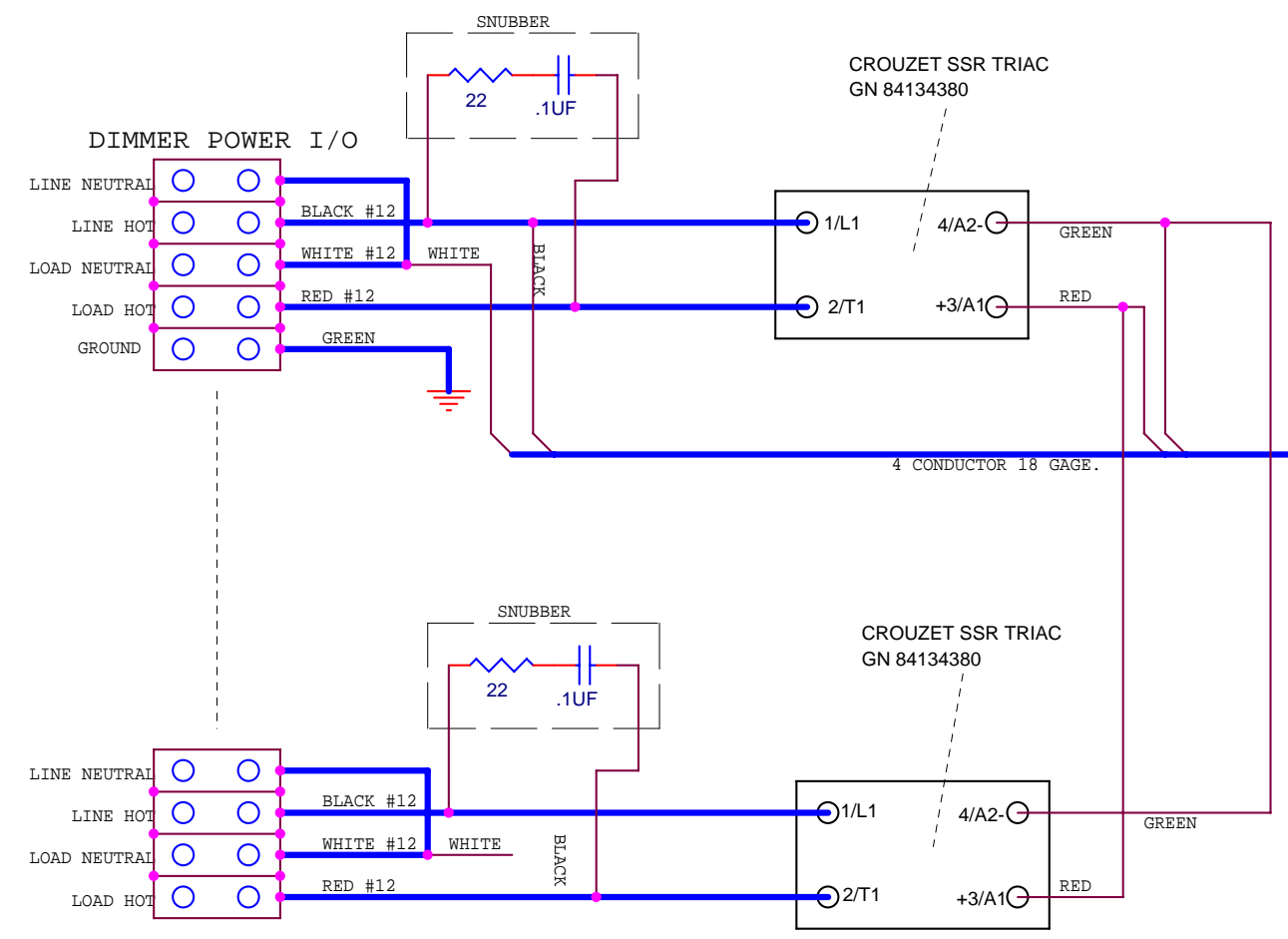
NOTE: USE REM. SW. COMMON FOR SWITCHING OF REMOTE FUNCTIONS ONLY. THIS COMMON IS NOT THE SAME AS THE REM. INDICATOR COMMON.



NOTE :

WHEN DIMMERS ARE POWERED UP, THEY DEFAULT INTO "LEVEL 1".

THIS LEVEL IS USED FOR BRIGHT.



BIG SKY INDUSTRIES 259 CENTER ST. PHILLIPSBURG, NJ 08865		
Title CONSOLE SINGLE DIMMER INTERFACE - SSR DUAL TRIAC		
Size B	Document Number CDIMINT DTC	Rev
Date: Thursday, March 30, 2006	Sheet 1	of 1