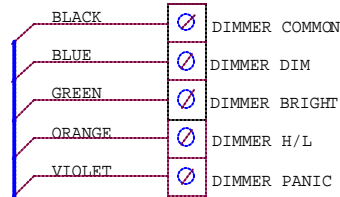


HOUSE LIGHTS CONTROL



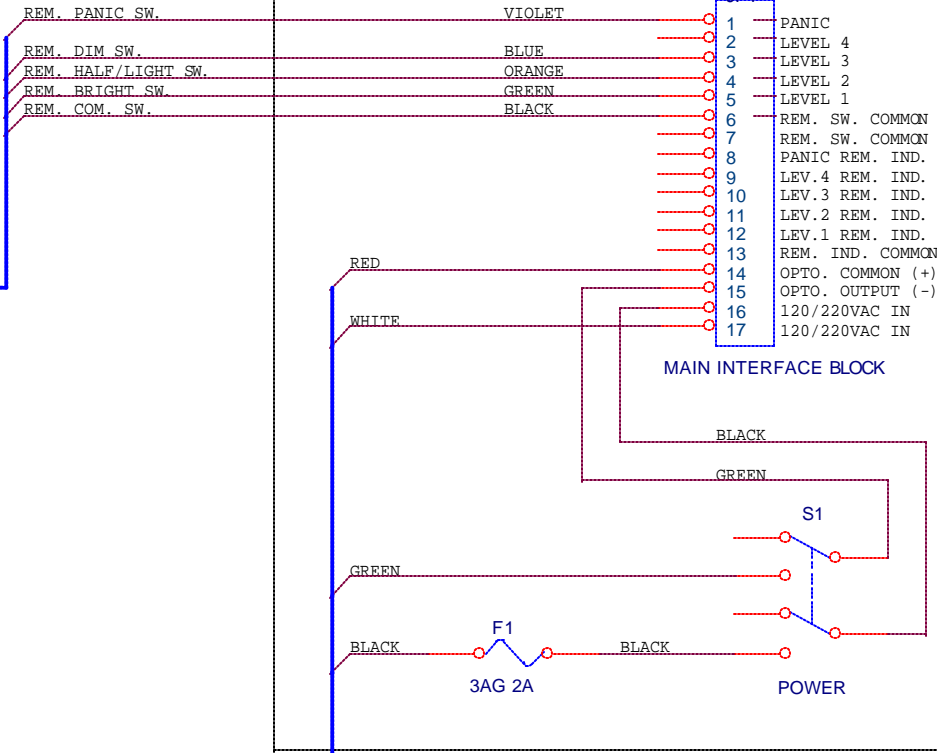
IMPORTANT

NOTE: USE REM. SW. COMMON FOR SWITCHING OF REMOTE FUNCTIONS ONLY. THIS COMMON IS NOT THE SAME AS THE REM. INDICATOR COMMON.

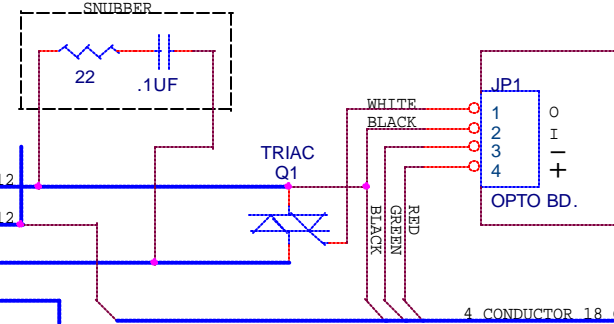
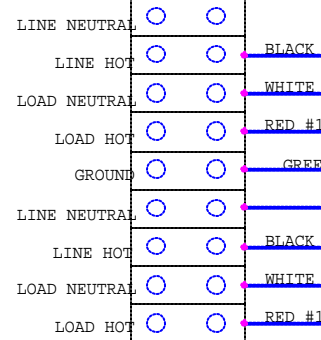
AUTOMATION DIMMER TERMINALS ON "CTERM" CONSOLE FIELD TERMINAL BOARD.

10 CONDUCTOR 22 GAGE

DIMMER PANEL #1 TOP PANEL HOUSE LIGHTS

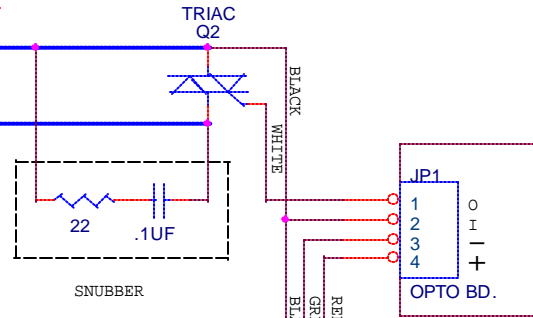


DIMMER POWER I/O

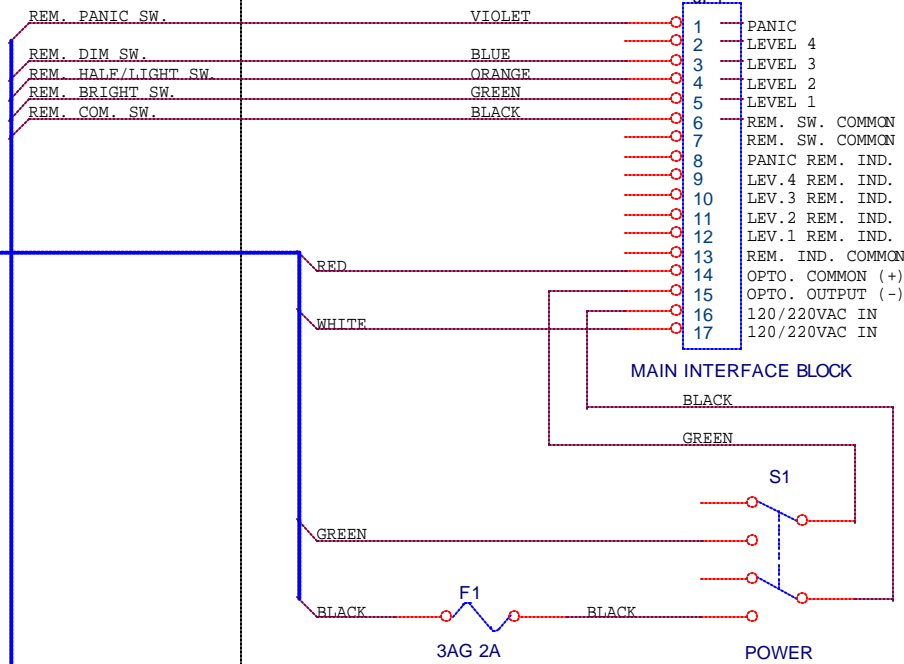


MAIN POWER INPUT BLOCK MOUNTED ON NON OPERATING SIDE BASKET ON CONSOLE.

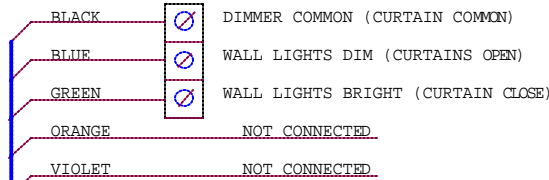
(20 AMPS MAX.) PER CHANNEL



DIMMER PANEL #2 BOTTOM PANEL WALL LIGHTS



WALL LIGHTS CONTROL



IMPORTANT

NOTE: USE REM. SW. COMMON FOR SWITCHING OF REMOTE FUNCTIONS ONLY. THIS COMMON IS NOT THE SAME AS THE REM. INDICATOR COMMON.

AUTOMATION DIMMER TERMINALS ON "CTERM" CONSOLE FIELD TERMINAL BOARD.

10 CONDUCTOR 22 GAGE

NOTE :

WHEN DIMMERS ARE POWERED UP, THEY DEFAULT INTO "LEVEL 1". THIS LEVEL IS USED FOR BRIGHT.

BIG SKY INDUSTRIES

259 CENTER ST.
PHILLIPSBURG N.J. 08865

Title
CONSOLE MOUNT DIMMER W/ DUAL TRIAC/ DUAL PANELS

Size B Document Number CDDDPINT-SC.SCH Rev

Date: Monday, April 10, 2000 Sheet 1 of 1