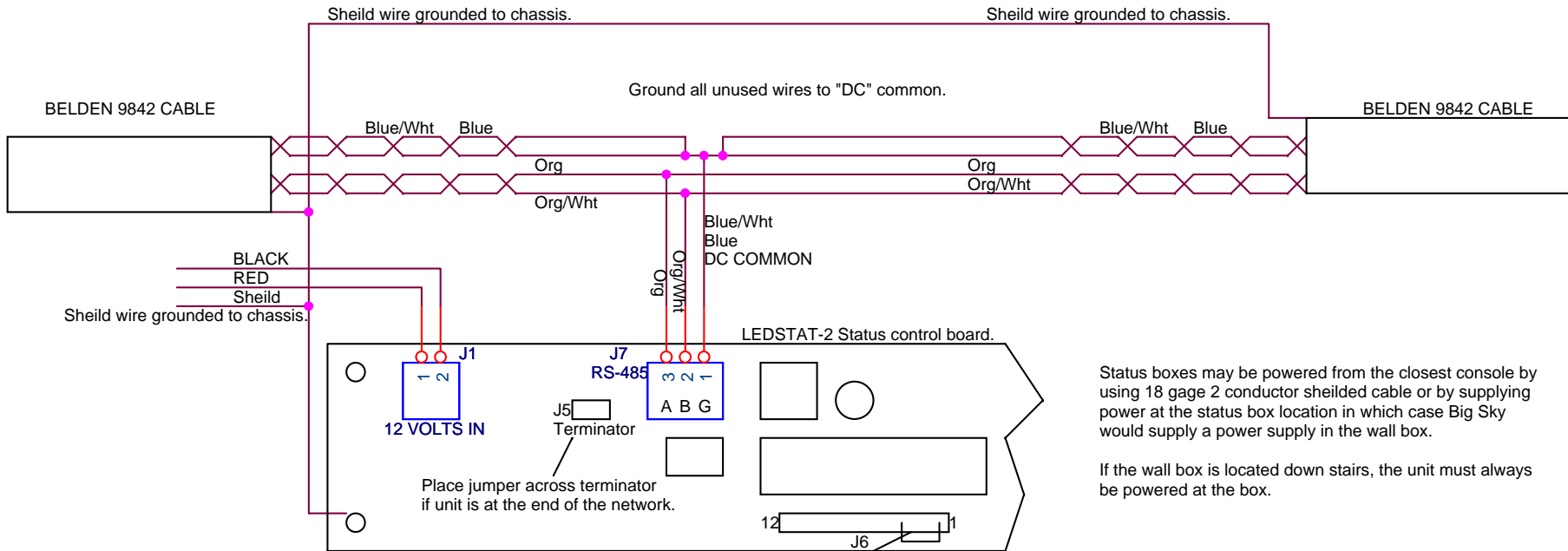


RECOMMENDED WIRE

Twisted pair with 2 pair, 24 gage, shielded must be used. Wire must have 100 to 120 ohm impedance.

Wire: BELDEN #9842 or equivalent.

Wiring typical all status panels.



Status boxes may be powered from the closest console by using 18 gage 2 conductor shielded cable or by supplying power at the status box location in which case Big Sky would supply a power supply in the wall box.

If the wall box is located down stairs, the unit must always be powered at the box.

Place jumper across #s 1 and 2 to select "Master". If jumper is across #s 2 and 3, unit is a slave! Select master on ONE unit only!!

BIG SKY INDUSTRIES INC.		
1475 PARK AVE. ALPHA N.J. 08865		
Title RS-485 STATUS SYSTEM		
Size A	Document Number LEDSTAT2 Status Panel Wiring.SCH	Rev -
Date:	Monday, May 01, 2006	Sheet 1 of 1