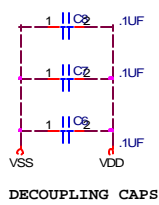


1=12VDC OUT
2=COM OUT
3=NC
4=CUE IN

Use the reset jumper to select which line will reset the sequencer when in sequential mode.

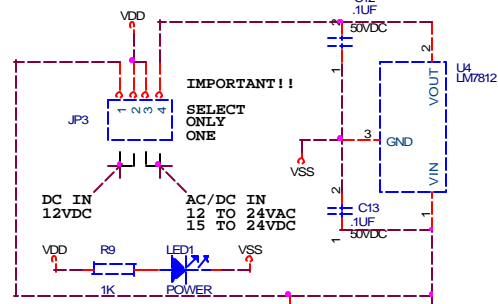


DECOUPLING CAPS

MAIN TERMINAL BLOCK DESIGNATIONS

- 1=PULSE 8 N.O.
- 2=PULSE 8 COMMON
- 3=PULSE 7 N.O.
- 4=PULSE 7 COMMON
- 5=PULSE 6 N.O.
- 6=PULSE 6 COMMON
- 7=PULSE 5 N.O.
- 8=PULSE 5 COMMON
- 9=PULSE 4 N.O.
- 10=PULSE 4 COMMON
- 11=PULSE 3 N.O.
- 12=PULSE 3 COMMON
- 13=PULSE 2 N.O.
- 14=PULSE 2 COMMON
- 15=PULSE 1 N.O.
- 16=PULSE 1 COMMON
- 17=N.C.
- 18=N.C.
- 19=VOLTS IN 1
- 20=VOLTS IN 2

INPUT VOLTAGE SELECT



ROSS INDUSTRIES INC.
259 CENTER ST.
PHILLIPSBURG N.J. 08865

Title: REMOTE 8 CUE LOGIC BOARD

Size: B Document Number: REMCUE8-A.SCH Rev: _____

Date: Monday, April 19, 2004 Sheet: 1 of 1