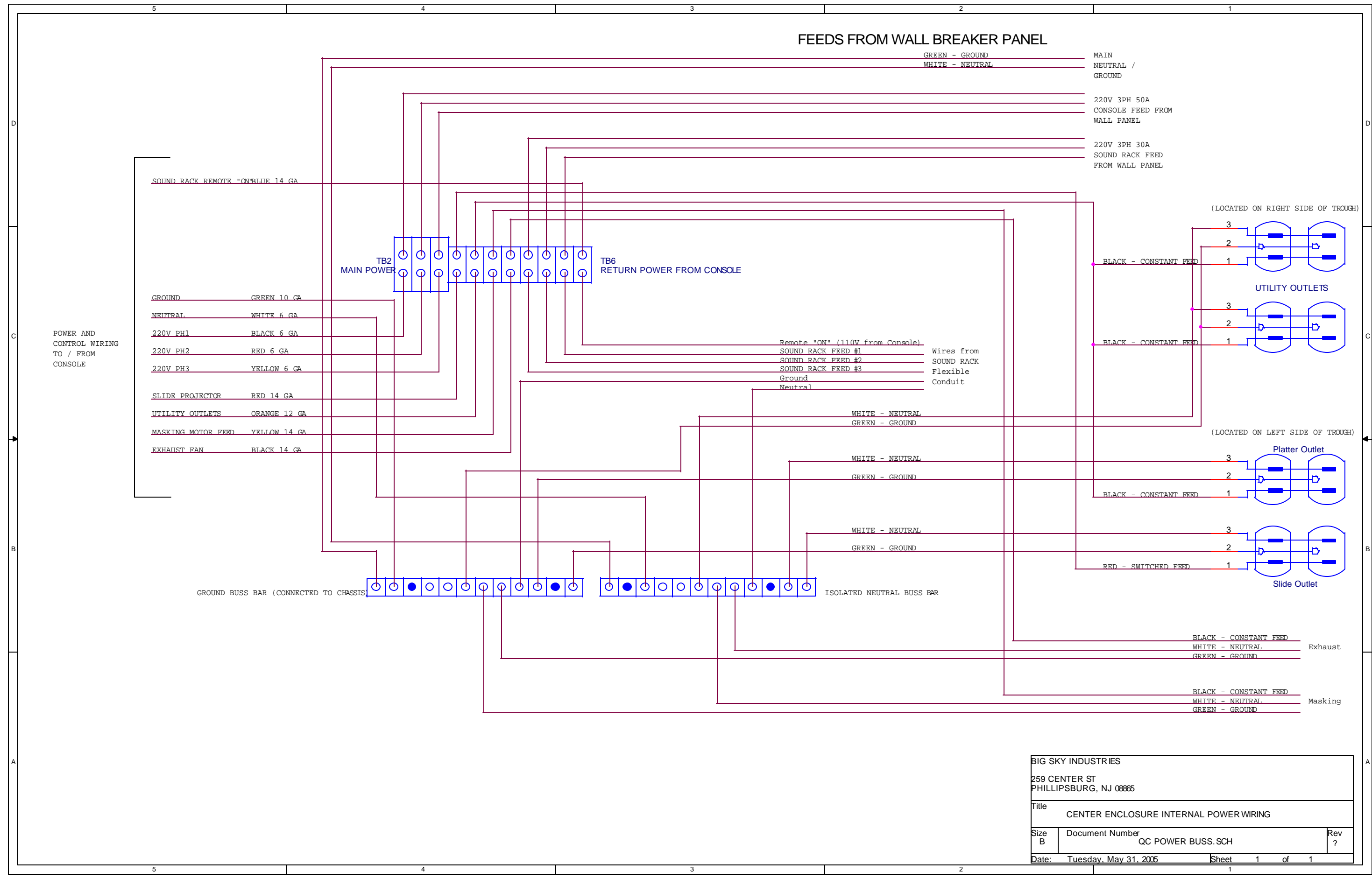


FEEDS FROM WALL BREAKER PANEL



SOUND RACK REMOTE "ON" BLUE 14 GA

- GROUND GREEN 10 GA
- NEUTRAL WHITE 6 GA
- 220V PH1 BLACK 6 GA
- 220V PH2 RED 6 GA
- 220V PH3 YELLOW 6 GA
- SLIDE PROJECTOR RED 14 GA
- UTILITY OUTLETS ORANGE 12 GA
- MASKING MOTOR FEED YELLOW 14 GA
- EXHAUST FAN BLACK 14 GA

TB2
MAIN POWER

TB6
RETURN POWER FROM CONSOLE

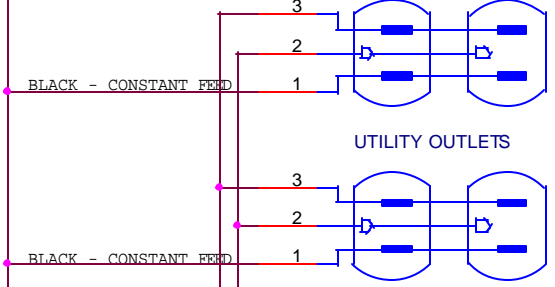
- Remote "ON" (110V from Console)
 - SOUND RACK FEED #1
 - SOUND RACK FEED #2
 - SOUND RACK FEED #3
 - Ground
 - Neutral
- Wires from
SOUND RACK
Flexible
Conduit

MAIN
NEUTRAL /
GROUND

220V 3PH 50A
CONSOLE FEED FROM
WALL PANEL

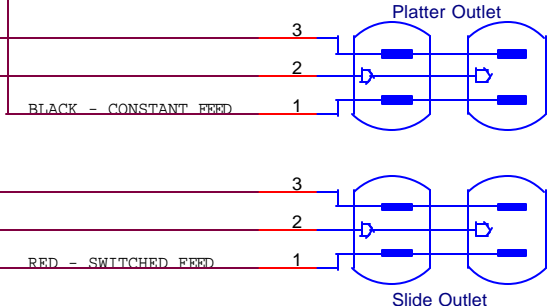
220V 3PH 30A
SOUND RACK FEED
FROM WALL PANEL

(LOCATED ON RIGHT SIDE OF TROUGH)



UTILITY OUTLETS

(LOCATED ON LEFT SIDE OF TROUGH)



Platter Outlet

Slide Outlet

GROUND BUSS BAR (CONNECTED TO CHASSIS)

ISOLATED NEUTRAL BUSS BAR

BLACK - CONSTANT FEED
WHITE - NEUTRAL
GREEN - GROUND

Exhaust

BLACK - CONSTANT FEED
WHITE - NEUTRAL
GREEN - GROUND

Masking

BIG SKY INDUSTRIES		
259 CENTER ST PHILLIPSBURG, NJ 08865		
Title CENTER ENCLOSURE INTERNAL POWER WIRING		
Size B	Document Number QC POWER BUSS. SCH	Rev ?
Date: Tuesday, May 31, 2005	Sheet 1	of 1