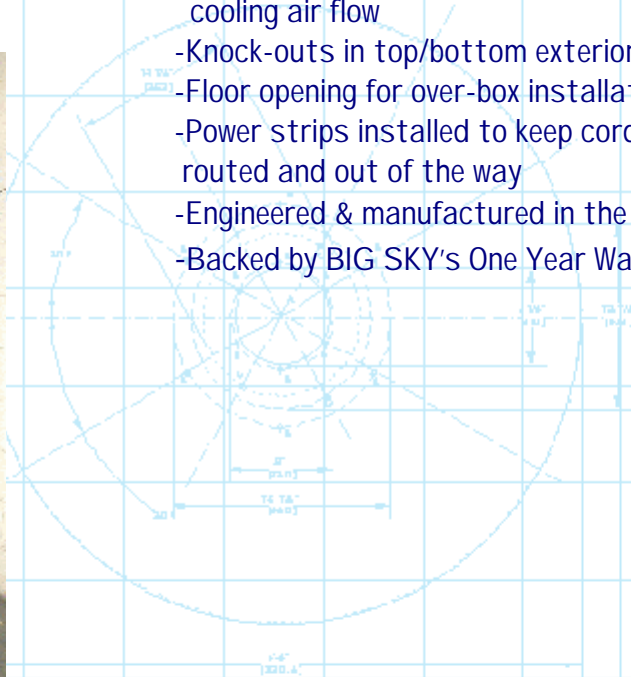


# S-Series SoundRacks

## Features:

- 40 rack spaces of equipment room
- Solid steel construction
- Swing-away back door for easy access to wiring
- Equipped to your specifications
- Oversize side panels for easier access and more cooling air flow
- Knock-outs in top/bottom exterior panels
- Floor opening for over-box installations
- Power strips installed to keep cords neatly routed and out of the way
- Engineered & manufactured in the USA
- Backed by BIG SKY's One Year Warranty

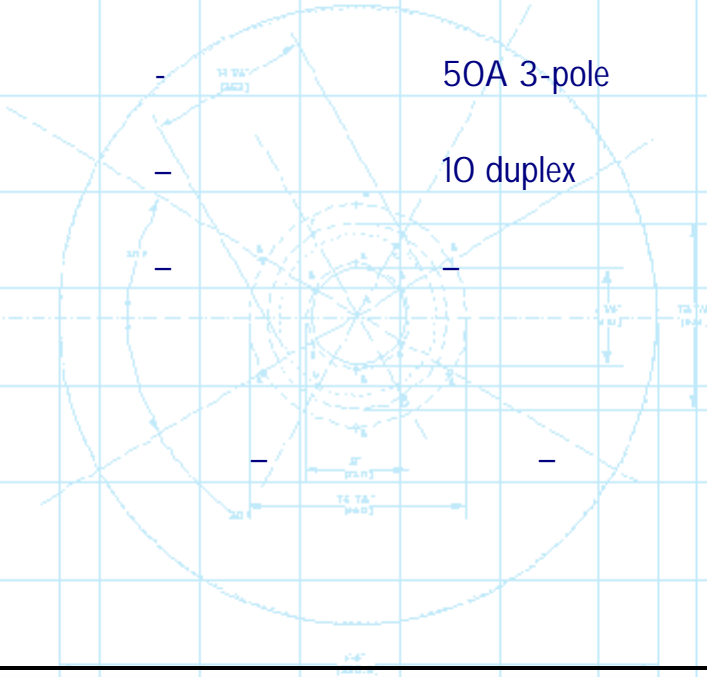


## Benefits:

- More room for component storage
- Equipped to your specs

# Sound Rack Specs

Model	S1000	S1200	S1400
Rack Spaces	40	40	40
Cooling	-	10" fan	10" fan
Contactor	-	50A 3-pole	50A 3-pole
Receptacles	-	10 duplex	10 duplex
Pre-wire	-	-	complete w/customer components
Filler Panels	-	-	included to fill all gaps



Weight: 120lbs/54.5kg (rack only)  
 Dimensions: 76" h X 24.5" w X 26.5"d



1475 Park Avenue  
 Alpha, NJ 08865  
 Tel. 908-454-6344  
 Fax 908-454-6373  
 Web: [www.bigskyindustries.net](http://www.bigskyindustries.net)