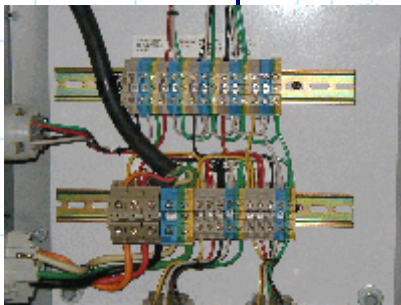


QuickConnect

Features:

- Pre-fabricated, pre-wired trough allows for quick, easy equipment installations
- Power & control interface wiring are packaged in one plug-in unit
- DB25 cables w/interface boards are control connections
- All components are UL approved
- Adapts to any theater package, including dimmers, curtains and other equipment
- Engineered & manufactured in the USA
- Backed by BIG SKY's One Year Warranty



Benefits:

- Cuts installation time & costs by up to 50%
- Allows greater flexibility in designing & mid-job changes to the system
- Easily adapts to any equipment package

Quick Connect Specs

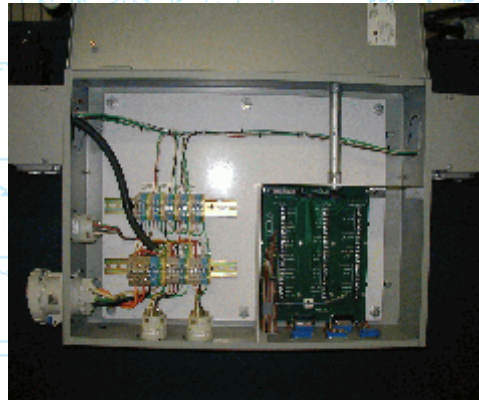
enclosure)

-Dimensions: 20"h x 30"w x 7"d (central

-6" square x 48"l trough arms (other sizes available)

-Tested & approved to UL standards

-Backed by BIG SKY's One Year Warranty



BIG SKY
INDUSTRIES

1475 Park Avenue
Alpha, NJ 08865
Tel. 908-454-6344
Fax 908-454-6373
www.bigskyindustries.net